

# **MCCULLOCH<sup>®</sup>** ***PARTNER***

## ILLUSTRATED PARTS LIST

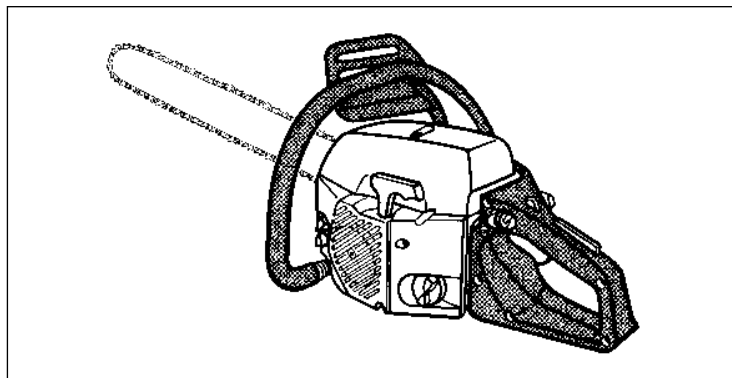
# PROMAC 40II-46II

Promac 46 II Product No 9539002-27

# PARTNER P461

**SERIAL NUMBER PREFIX 04**

**CE**



March 2000

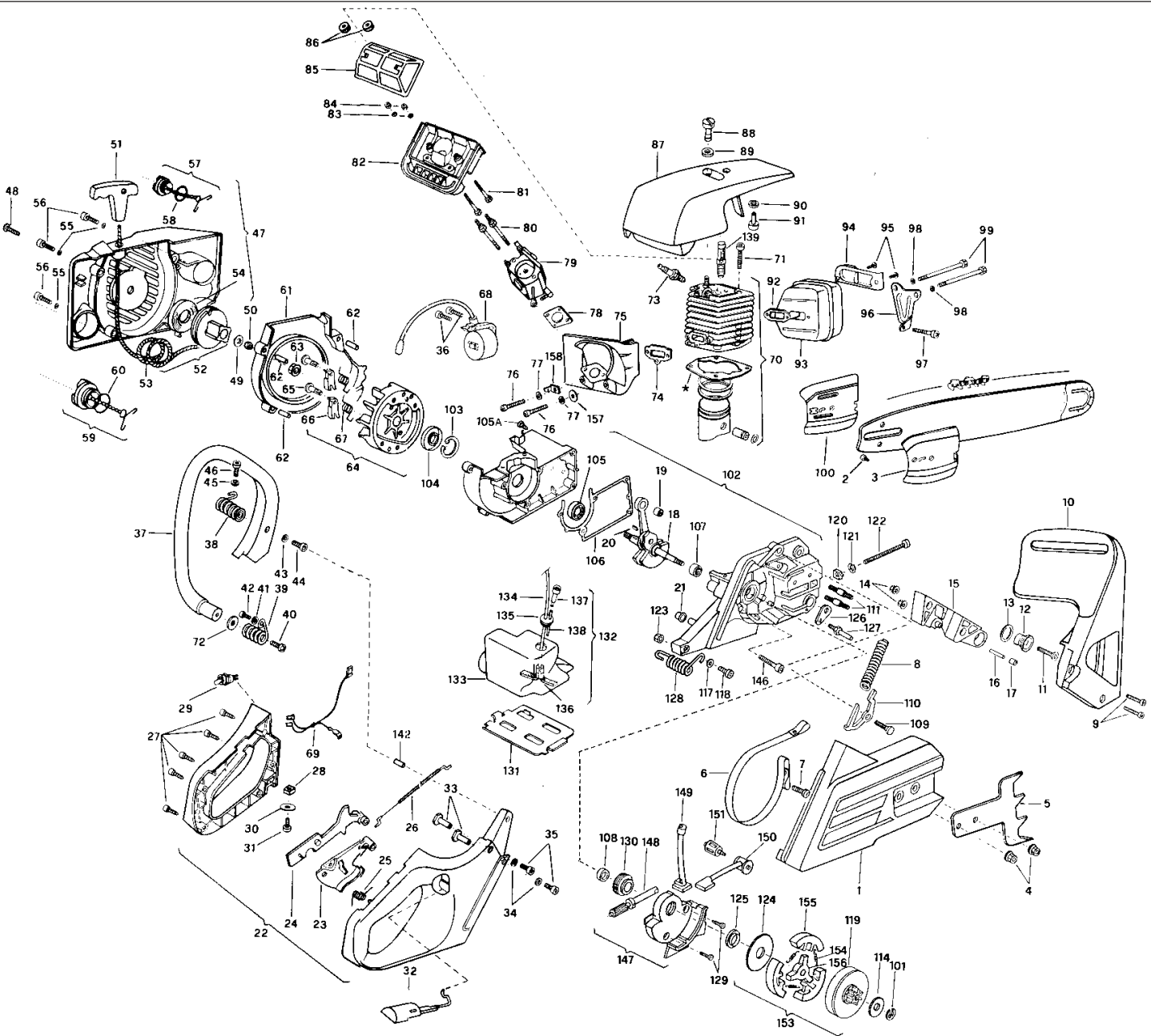
C	1	538248439	1	B	85	538240263	1
	2	● 538228554	1		86	538240322	2
C	3	● 538241915	1		87	538241995	1
A	4	538227762	2		88	● 538240320	1
C	5	538241992	1		89	● 538240321	1
B	6	538235073	1		90	● 538236936	1
	7	538235812	1		91	● 538240272	1
	8	538235076	1	C	92	538240344	1
	9	538235806	M5x20 2		93	538240291	1
C	10	538241907	1		94	● 538240297	1
	11	538241905	1		95	● 538236981	2
	12	538241904	1		96	538240299	1
	13	538241906	1		97	538236997	M5x30 1
	14	538235642	1		98	538227626	2
	15	538241902	1		99	538227567	M5x70 2
	16	538242017	1	C	100	538241914	1
	17	538241903	1		101	538229137	1
	18	538241873	1		102	538248496	1
C	19	538227329	1		103	● 538235899	1
C	20	538227631	1	C	104	● 538241879	1
	21	538235672	1		105	● 538235900	1
C	22	538240339	1		105A	● 538241077	1
C	23	● 538240301	1		106	● 538240312	1
C	24	● 538240302	1		107	● 538241253	1
	25	● 538204303	1	C	108	● 538228872	1
C	26	● 538240367	1		109	● 538235075	1
	27	● 538240862	5		110	● 538094006	1
	28	538229524	1	B	111	● 538241881	M8 2
C	29	538240859	1		114	538235287	1
	30	538227259	1		117	538227259	1
	31	538240845	M5x16 1		118	538235806	M5x20 1
C	32	538247259	1	B	119	538240266	.325" 1
	33	538240315	2	B	120	538241908	1
	34	538235248	2	B	121	538235367	1
	35	538235802	M5x14 2	B	122	538241909	1
	36	538235806	M5x20 2		123	538235642	1
	37	538240281	1		124	538241346	1
B	38	538240289	1		125	538242006	1
B	39	538240285	1		126	538240309	1
	40	538240354	1	C	127	538240363	1
	41	538235248	1	B	128	538240286	1
	42	538235802	M5x14 1		129	538235802	M5x14 2
	43	538235248	1	C	130	538241882	1
	44	538235803	M5x25 1		131	538240867	1
	45	538227259	1		132	538240920	1
	46	538235802	M5x14 1		133	● 538240300	1
C	47	538240336	1	B	134	● 538240868	1
	48	● 538240316	M5x35 1	C	135	● 538235675	1
	49	● 538240921	1	A	136	● 538240452	1
	50	● 538229208	1	C	137	● 538227582	1
	51	● 538240884	1		138	● 538229716	1
B	52	● 538235372	1		139	538094273	1
A	53	● 538235042	1		142	538240323	1
B	54	● 538235040	1		146	538236997	M5x30 4
	55	538235248	3	B	147	538241883	1
	56	538236697	M5x30 3	C	148	● 538241885	1
B	57	538240866	1		149	● 538241895	1
C	58	● 538235511	1		150	● 538241896	1
B	59	538240865	1	C	151	538225062	1
C	60	● 538235510	1		153	538242004	1
	61	538247290	1	B	154	● 538240926	3
	62	● 538240358	3		155	● 538227359	3
	63	538235218	1		156	● 538242005	1
	64	538241204	1		157	538235248	1
B	65	● 538235516	2		158	538228139	1
B	66	● 538235517	2				
B	67	● 538235518	2				
C	68	538241291	1				
C	69	● 538240370	1				
C	70	SEE FIGURE 2					
	71	538227565	M5x25 4				
	72	538236934	1				
A	73	538092879	1				
B	74	538240345	1				
	75	538240261	1				
	76	538236997	M5x30 2				
	77	538236529	2				
A	78	538227692	1				
C	79	SEE FIGURE 3					
	80	538240328	2				
	81	538240334	M4x40 2				
	82	538240262	1				
	83	538235248	2				
	84	538235216	2				
B	85	538240263	1				

A= High Moving

B=Medium Moving

C= Slow Moving

**Promac 46 II Product No 9539002-27**



- B Kit gasket PN 538247249 (\*-58-60-74-78-106-125)
- B Kit guarnizioni: PN 538247249 (\*-58-60-74-78-106-125)
- B Kit joint PN 538247249 (\*-58-60-74-78-106-125)
- B Kit dichtung PN 538247249 (\*-58-60-74-78-106-125)

FIGURE 1

Promac 46 II Product No 9539002-27

	<b>40cc</b>	<table> <tr><td>C</td><td>1</td><td></td><td>538247254</td><td>1</td></tr> <tr><td>B</td><td>2</td><td>●</td><td>538240343</td><td>1</td></tr> <tr><td>C</td><td>3</td><td>●●</td><td>538247257</td><td>1</td></tr> <tr><td></td><td>4</td><td>●●</td><td>538235008</td><td>2</td></tr> <tr><td>B</td><td>5</td><td>●●</td><td>538240005</td><td>2</td></tr> </table>	C	1		538247254	1	B	2	●	538240343	1	C	3	●●	538247257	1		4	●●	538235008	2	B	5	●●	538240005	2
	C	1		538247254	1																						
B	2	●	538240343	1																							
C	3	●●	538247257	1																							
	4	●●	538235008	2																							
B	5	●●	538240005	2																							
<b>46cc</b>	<table> <tr><td>C</td><td>1</td><td></td><td>538248500</td><td>1</td></tr> <tr><td>B</td><td>2</td><td>●</td><td>538240343</td><td>1</td></tr> <tr><td>C</td><td>3</td><td>●●</td><td>538247258</td><td>1</td></tr> <tr><td></td><td>4</td><td>●●</td><td>538229544</td><td>2</td></tr> <tr><td>B</td><td>5</td><td>●●</td><td>538240353</td><td>2</td></tr> </table>	C	1		538248500	1	B	2	●	538240343	1	C	3	●●	538247258	1		4	●●	538229544	2	B	5	●●	538240353	2	
C	1		538248500	1																							
B	2	●	538240343	1																							
C	3	●●	538247258	1																							
	4	●●	538229544	2																							
B	5	●●	538240353	2																							

**FIGURE 2**

<b>WALBRO WT 414</b>				
C	-	538240350	carbur.	
B	1	●	538247260	1
A	2	●●	538229191	1
C	3	●	538247261	1
	4	●	538237481	1
	5	●	538247388	H 1
	6	●	538246540	L 1
	7	●	538229601	2
	8		538247387	1

<b>ZAMA C1Q M39</b>				
C	-	538242062	carbur.	
B	1	●	538226226	1
A	2	●●	538223227	1

**FIGURE 3**

A= High Moving  
B=Medium Moving  
C= Slow Moving